

## PRODUCT NEWS

### Product Discontinuation Notice

Safety-Door Switch

July 25th, 2011

No.PIP-Z-1107011

### Discontinuation Notice of part of D4NS series

#### Product Discontinuation



Safety-Door Switch

D4NS-3\*\*

D4NS-5\*\*

D4NS-7\*\*

D4NS-9\*D



#### Recommended Replacement

Safety-Door Switch

D4NS-4\*\*

D4NS-1\*\*

D4NS-4\*\*

D4NS-9\*F

Date of discontinue : End of March, 2012

#### Caution on recommended replacement

- Appearance and dimensions are different
- Number of conduit and/or conduit size are different

#### Difference from discontinued product

Model	Body color	Dimensions	Wire connection	Mounting dimensions	Characteristics	Operation ratings	Operation methods
D4NS-1**	**	--	**	**	**	**	**
D4NS-4**							
D4NS-9*F							

\*\* : Fully compatible

\* : The change is a little / Almost compatible

-- : Not compatible

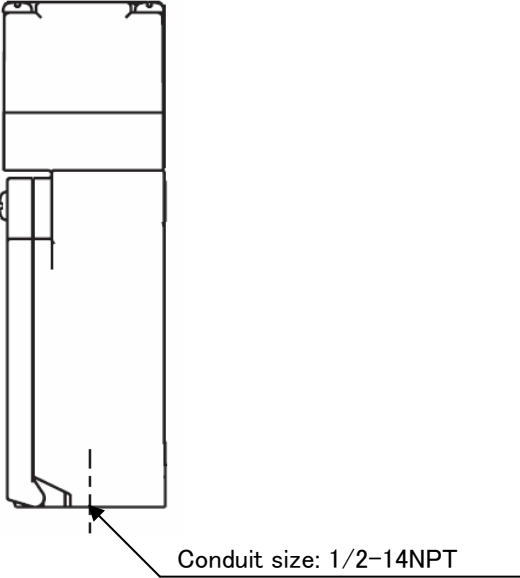
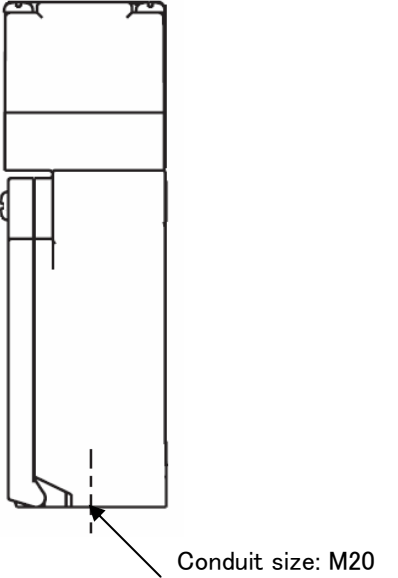
- : No corresponding specification

## Product discontinuation and recommended replacement

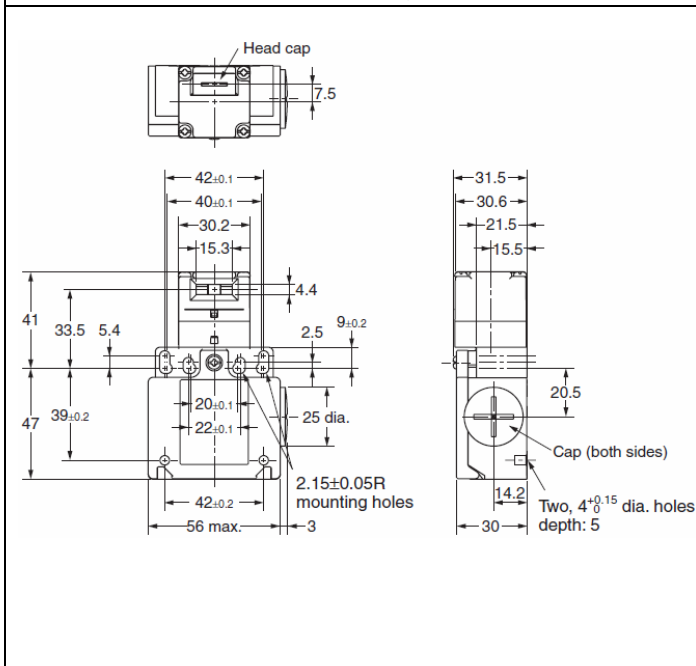
Product discontinuation	Recommended replacement
D4NS-3AF	D4NS-4AF
D4NS-3BF	D4NS-4BF
D4NS-3CF	D4NS-4CF
D4NS-3DF	D4NS-4DF
D4NS-3EF	D4NS-4EF
D4NS-3FF	D4NS-4FF
D4NS-3AD	D4NS-4AD
D4NS-3BD	D4NS-4BD
D4NS-3CD	D4NS-4CD
D4NS-3DD	D4NS-4DD
D4NS-3ED	D4NS-4ED
D4NS-3FD	D4NS-4FD
D4NS-5CF	D4NS-1CF
D4NS-5DF	D4NS-1DF
D4NS-5EF	D4NS-1EF
D4NS-5FF	D4NS-1FF
D4NS-5AD	D4NS-1AD
D4NS-5BD	D4NS-1BD
D4NS-5CD	D4NS-1CD
D4NS-5DD	D4NS-1DD

Product discontinuation	Recommended replacement
D4NS-5ED	D4NS-1ED
D4NS-5FD	D4NS-1FD
D4NS-7AF	D4NS-4AF
D4NS-7BF	D4NS-4BF
D4NS-7CF	D4NS-4CF
D4NS-7DF	D4NS-4DF
D4NS-7EF	D4NS-4EF
D4NS-7FF	D4NS-4FF
D4NS-7AD	D4NS-4AD
D4NS-7BD	D4NS-4BD
D4NS-7CD	D4NS-4CD
D4NS-7DD	D4NS-4DD
D4NS-7ED	D4NS-4ED
D4NS-7FD	D4NS-4FD
D4NS-9AD	D4NS-9AF
D4NS-9BD	D4NS-9BF
D4NS-9ED	D4NS-9EF

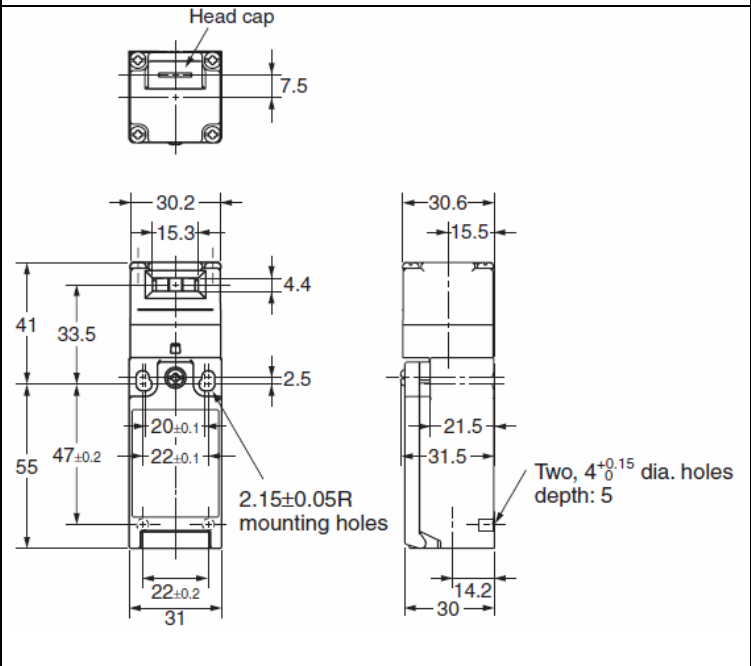
## Dimension

Product discontinuation Model D4NS-3**	Recommended replacement Model D4NS-4**
 <p>Conduit size: 1/2-14NPT</p>	 <p>Conduit size: M20</p>

**Product discontinuation**  
**Model D4BS-5\*\* / D4NS-7\*\***



**Recommended replacement**  
**Model D4NS-4\*\***



**Product discontinuation**  
**Model D4BS-9\*D**



**Recommended replacement**  
**Model D4NS-9\*F**

