



MULTIS L20 / L40

Measurement devices

96 x 96 - Three phases - All electrical parameters measurement

Metering, monitoring
& power quality



mult_054_a_1_cat



mult_055_a_1_cat

Function

The SOCOMEC MULTIS range 96 x 96 insure the measurement of all your electrical parameters, V, A, Hz, P, Q, S, COS φ ... For Single and Three phases network.

Applications

- The MULTIS L20 is a digital LV and HV three phase measurement device. It displays simultaneously the 3 phases + neutral and the most frequent values for an electrical installation or for monitoring generator sets.
- The MULTIS L40 is a digital three phase multimeter for measuring electrical values in LV and HV networks. In addition to the MULTIS L20 functions the MULTIS L40 also offers MODBUS RTU communication via RS485, measurement of the energies (active, reactive) and pulse output.

Multi-meter MULTIS L20

Electrical characteristics

Measurements	
AC network	LV or HV, three phase + neutral
Measurement range	Secondary 0.05...5.5 A Primary 5/5 A ... 10000/5 A Primary 1/1 A ... 2000/1 A Secondary 10...300 VAC Primary 10 V...200 kVAC
Measurement range between phases	10 ... 500 VAC
Accuracy	1 % \pm 1 digit

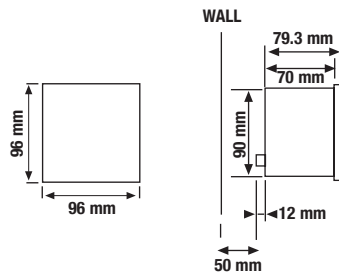
Auxiliary power supply	
Voltage	190 ... 260 VAC
Frequency	45 ... 65 Hz
Consumption	< 4 VA
Operating conditions	
Operating temperature	-5 ... +50 °C

MULTIS L20 / L40

Measurement devices

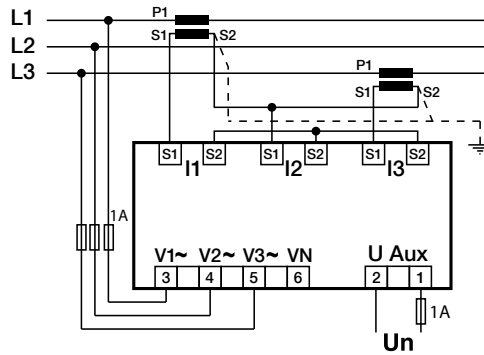
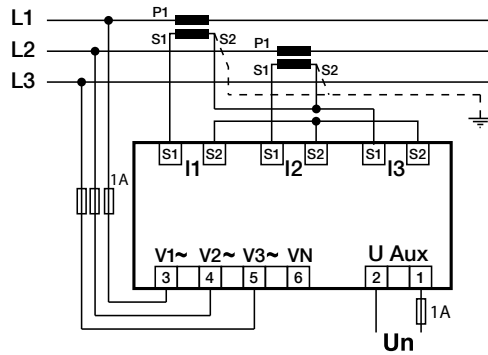
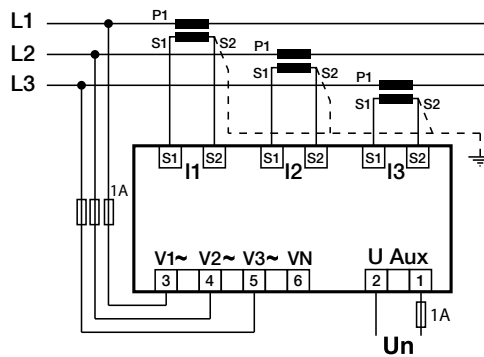
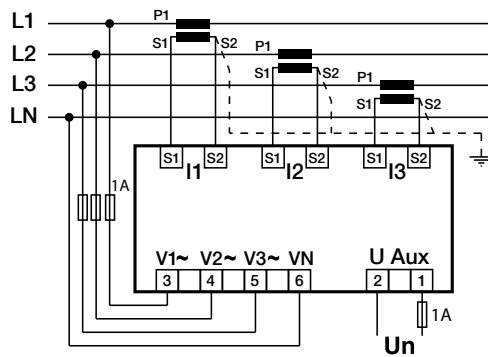
96 x 96 - Three phases - All electrical parameters measurement

Case



Type	panel mounting
Dimensions W x H x D	96 x 96 x 82 mm
Panel cut out dimensions (H x W)	91 x 91 mm
Front protection rating	IP40
Weight	0.56 kg

Connection



References

Auxiliary supply	Frequency	MULTIS L20 Reference
190 ... 260 VAC	50/60 Hz	192J 9100



mult_L04_s_1_cat

MULTIS L20 / L40

Measurement devices

96 x 96 - Three phases - All electrical parameters measurement

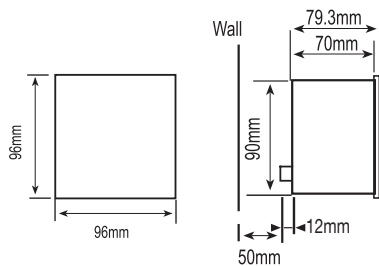
Multi-meter MULTIS L40

Electrical characteristics

Measurements	
AC network	LV or HV, three phase + neutral
Measurement range	Secondary 0.05...5.5 A Primary 5/5 A ... 10000/5 A Primary 1/1 A ... 2000/1 A Secondary 10...300 VAC Primary 10 V...200 kVAC
Measurement range between phases	10 ... 500 VAC
Accuracy	1 % ± 1 digit
Communication	
Type	MODBUS RTU via RS485

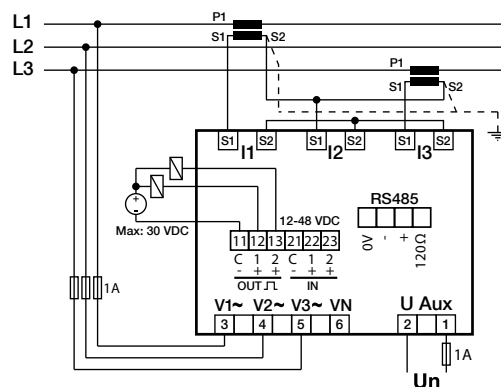
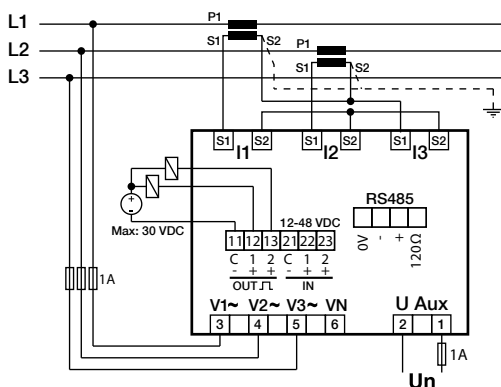
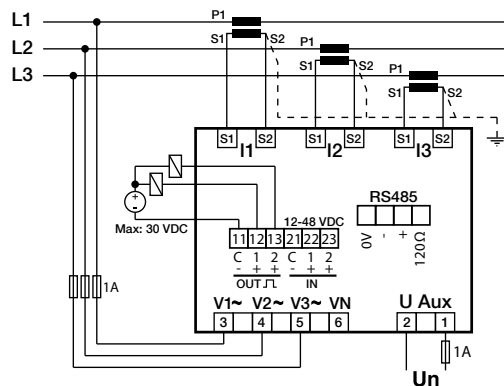
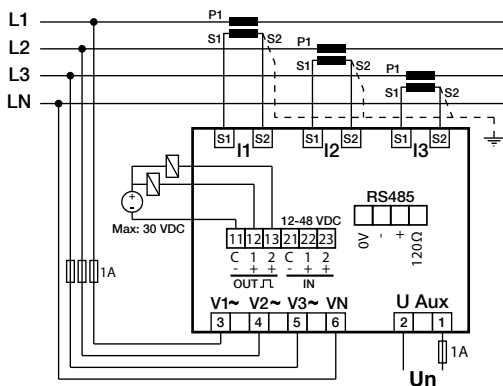
Pulse output	
Weight	1 Wh ... 1 MWh / 1 VAh ... 1 MVAh
Operation current	50 mA max.
Operation voltage	5 ... 24 VDC ; 30 VDC max.
Pulse duration	100 ms max.
Input	
Operation voltage	12 ... 48 VAC / DC
Auxiliary power supply	
Voltage	190 ... 260 VAC
Frequency	45 ... 65 Hz
Consumption	< 4 VA
Operating conditions	
Operating temperature	-5 ... +50 °C

Case



Type	panel mounting
Dimensions W x H x D	96 x 96 x 82 mm
Panel cut out dimensions (H x W)	91 x 91 mm
Front protection rating	IP40
Weight	0.45 kg

Connection

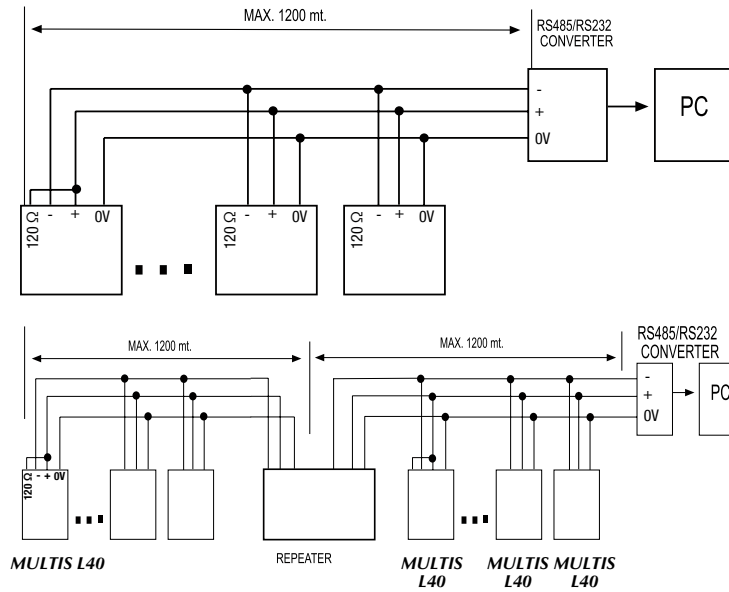


MULTIS L20 / L40

Measurement devices

96 x 96 - Three phases - All electrical parameters measurement

Computer Connection



References

Auxiliary supply	Frequency	MULTIS L40 Reference
190 ... 260 VAC	50/60 Hz	192J 9110

